

# LGMG

## M0810JE

### VERTICAL MAST LIFTS



- Great maneuverability easy to operate within tight spaces.
- With “ up-and-over ” capability, 3.2m jib and larger working envelope.
- Eco-friendly, zero-emission, highly efficient electric drive, more productive with longer working hours.
- Easy to maintain with lower cost of repairs.
- Compact size and light-weight, easy to transport.

# LGMG Vertical Mast Lifts

## SPECIFICATIONS

Models	M0810JE ( M2640JE )	
Measurements	Metric	US
Working Height	10m	32'10"
Platform Height(Raised)	8m	26'3"
Horizontal Outreach	3.2m	10'6"
Up and Over Clearance Max.	6.6m	21'8"
Platform Size(L×W)	0.98x0.72m	39"x28"
<b>A</b> Overall Length	2.6m	8'6"
<b>B</b> Overall Width	1m	3'3"
<b>C</b> Overall Height(Stowed)	1.99m	6'6"
<b>D</b> Wheelbase	1.2m	3'11"
<b>E</b> Ground Clearance	0.1m	4"

### Productivity

Max. Platform Occupancy	2 (in) / 1 (out)	
Platform Capacity	200kg	440 lbs
Drive Mode	Rear Wheel	
Brakes	Rear Wheel	
Turntable Rotation	345°	345°
Max. Drive Speed (Stowed)	5km/h	3mph
Max. Drive Speed (Raised)	0.43km/h	0.27mph
Gradeability	25%	25%
Tailswing	0	0
Tire Size	380x130mm	15"x5"

### Power

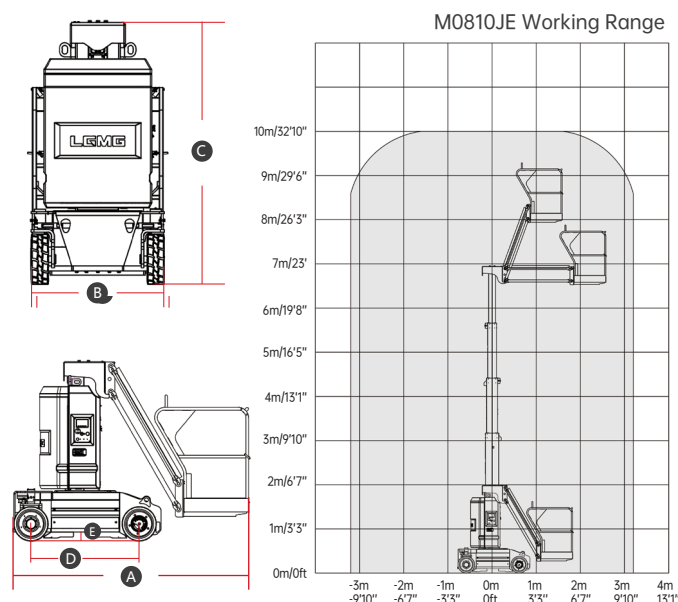
Power Source	24V, 250Ah	
Hydraulic Oil Capacity	6.5L	1.7gal
Machine Weight (CE/ANSI)	2720kg	5997 lbs

### STANDARD FEATURES

Brake release	Descent alarm with flashing beacon
All motions alarm	Charge protection system
Emergency descent	Emergency stop device
Tilt alarm	Solid non-marking tires
Full-height drive	2 wheel drive, 2 wheel steering
Hour meter	Manual emergency pump

### OPTIONAL

Voice alarm system	AC power to platform
Telematics	Anti-entrapment protection



Please contact LGMG or a local dealer for more details.

LGMG reserves the right to change technical data without prior notice. All photos and pictures in this brochure are for promotional purposes only. This brochure comes into effect in February, 2023.

### LINGONG HEAVY MACHINERY CO., LTD.

Address: No. 2676, Kejia Road, Jinan, Shandong, China  
 Email: sales@lmgm.com.cn Tel: +86 531 6787 9283

### LGMG Europe B.V.

Address: Donker Duyvisweg 301, 3316 BL Dordrecht, The Netherlands  
 Email: sales@lmgmeurope.com Tel: +31 850 642 777

### LGMG North America Inc.

Address: 1445 Sheffler Dr, Chambersburg, PA. 17201, USA  
 Email: sales@lmgmna.com Tel: +1 833 288 5464

www.lmgglifts.com



**LGMG**  
 RELIABILITY IN ACTION